



PCORE
ELECTRIC

kV CLASS 15 kV **BIL** 110 kV **Uy** 10 kV

CURRENT RATING

3000 AMP BOTTOM CONNECTION

DWG. **CATALOG NUMBER** **GLAZE COLOR**

SD B-89132-349 BROWN

SD B-89132-349-70 LT. GRAY

TITLE
PRC BUSHING ASSEMBLY

HORIZONTAL/VERTICAL MOUNTING
C₂ NAME PLATE

DATE 4-21-09 **REV. DATE** 12-23-13

MAXIMUM ALTITUDE 10000 ft [3000 m]

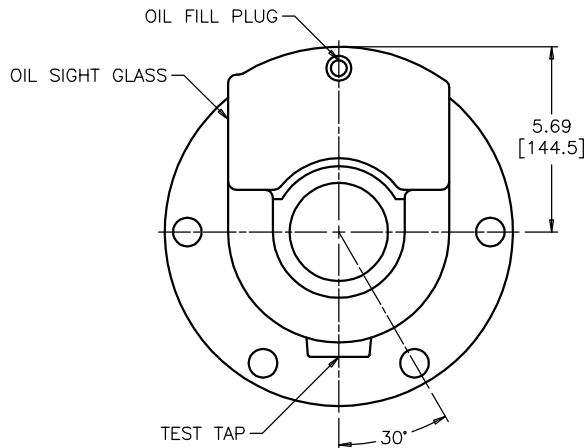
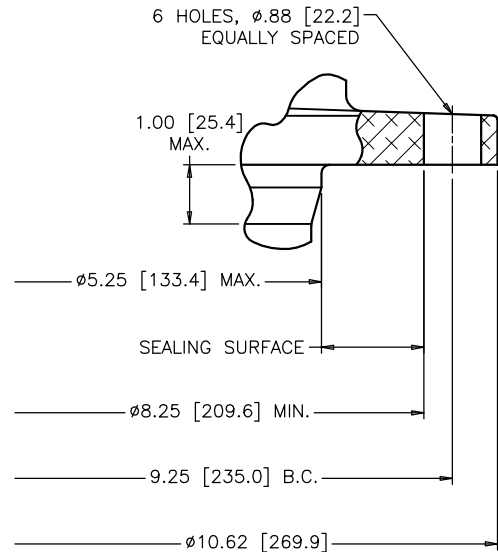
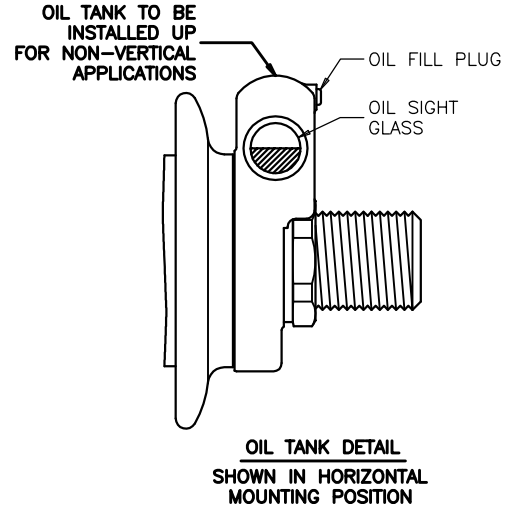
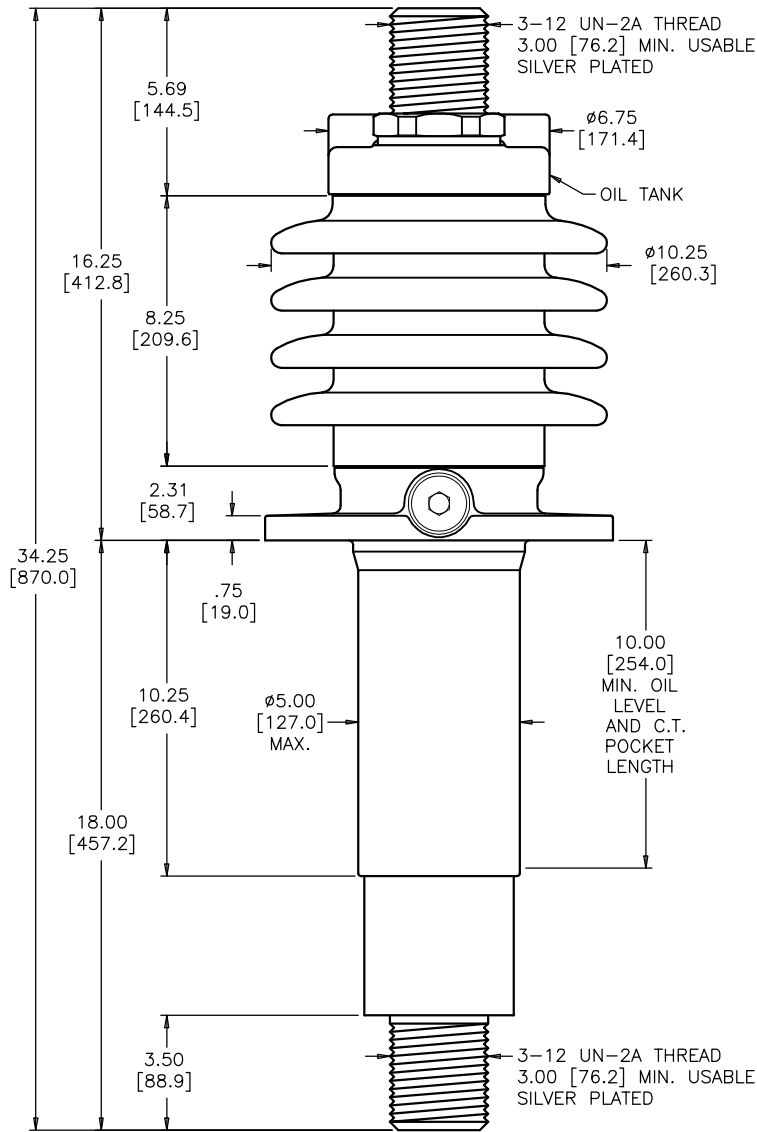
NET WEIGHT 109 lb [49 kg]

ANGLE OF INCLINATION FROM THE VERTICAL 0° TO 90°

MIN. CREEP 20.50 [520.7] **MIN. STRIKE** 9.00 [228.6]

CREEP/Uy 2.05 [52.1] **STD.** IEEE C57.19.00/01

PCB CONTENT OF OIL IS LESS THAN 1 ppm



DIMENSIONS IN INCHES [MILLIMETERS]

REVISION OIL TANK DETAIL WAS SHOWN IN VERTICAL POSITION

SCALE 1/4

NOTE TO PURCHASER:
ALL SALES OF PCORE PRODUCTS ARE SUBJECT
TO OUR STANDARD TERMS AND CONDITIONS
AND THE LIMITED WARRANTIES THEREUNDER